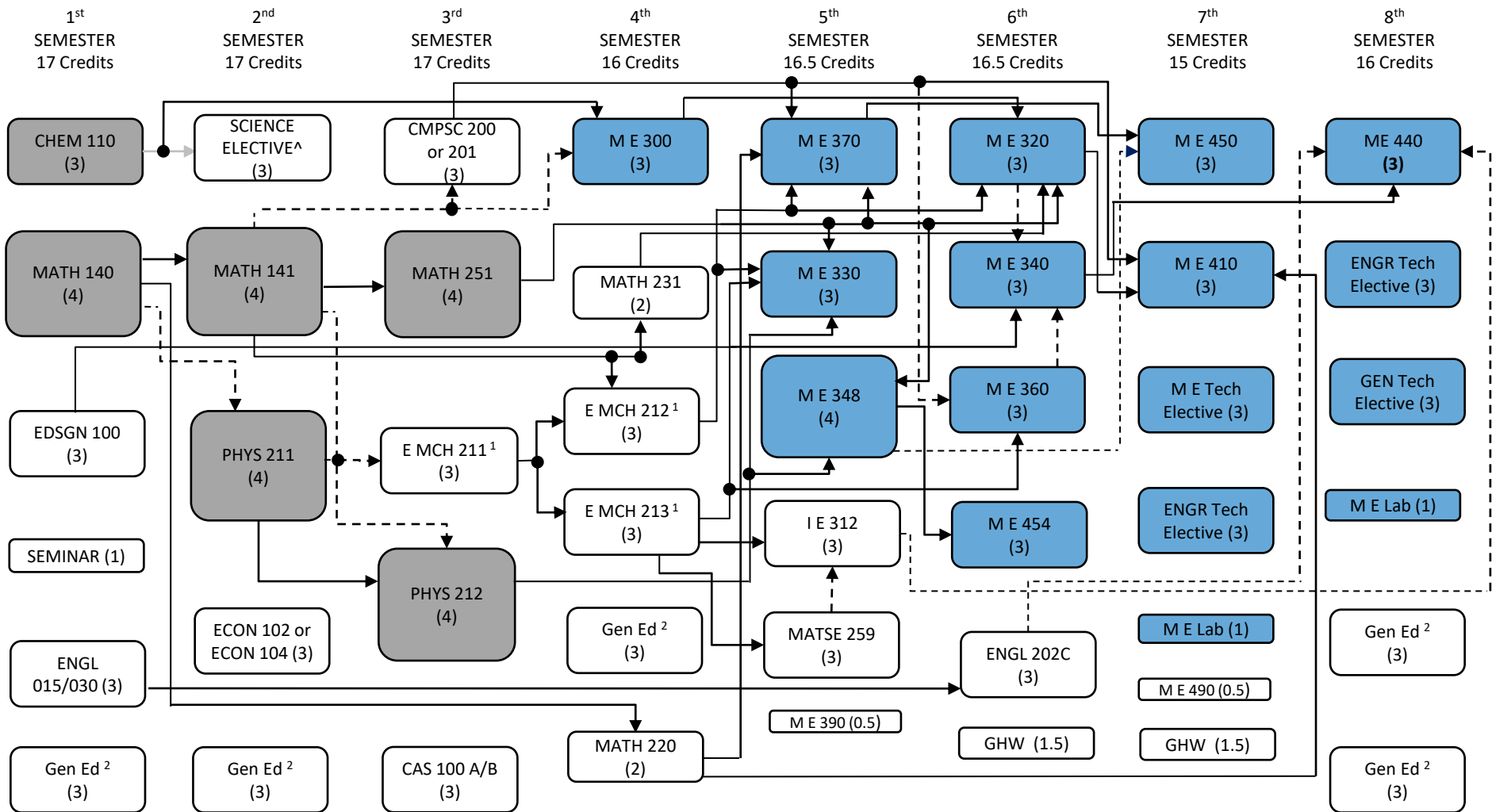


# MECHANICAL ENGINEERING CURRICULUM (Option A: last Name begins with A-K)



<sup>^</sup> Science Elective options – CHEM 112, BIOL 141, or CHEM 111 and PHYS 214 – 3 total credits  
<sup>1</sup> Completion of E MCH courses before the 5<sup>th</sup> semester is important for future course sequencing; E MCH 210 or E MCH 210H is not a direct substitute for E MCH 211 and 213 requirements and should not be taken for ME\_BS  
<sup>2</sup> US Cultures & IL Cultures and Integrative studies requirements are satisfied in conjunction with gen ed courses.  
 Courses shaded in BLUE used for the In-major GPA calculation.  
 Courses shaded in GRAY Entrance to Major requirements